

BUTLER

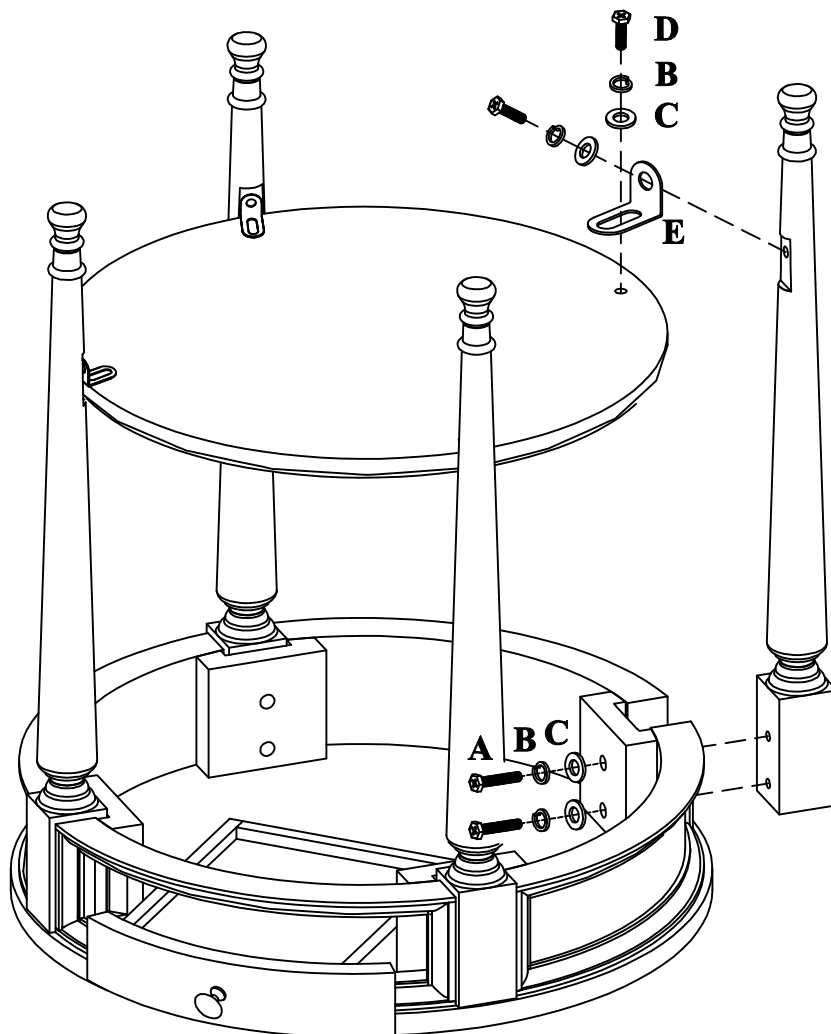
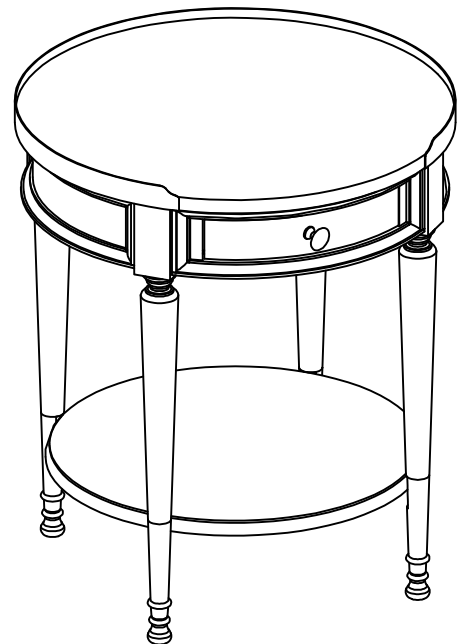
*Assembly Instructions
Style Number 2311*

SPECIALTY COMPANY

8200 SOUTH CHICAGO AVE., CHICAGO, IL 60617

PACKAGED

- | | |
|---------------------|--------------|
| (A) 8- Bolt | Ø1/4"*1-3/4" |
| (B) 16- Lock Washer | Ø1/4" |
| (C) 16- Flat Washer | Ø1/4"*16mm |
| (D) 8- Bolt | Ø1/4"*1/2" |
| (E) 4-Bracket | |



(*Caution:DO NOT OVERTIGHTEN

In any correspondence regarding this product, please include the complete Butler identification number located on the underside of the product.

We hope this Accent Table will be a useful and decorative addition to your home for years to come.

COPYRIGHT BUTLER SPECIALTY COMPANY, 04/07